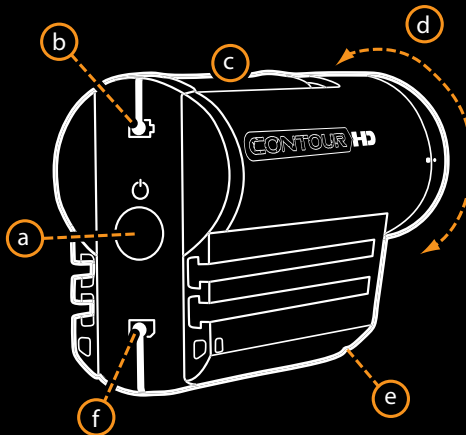


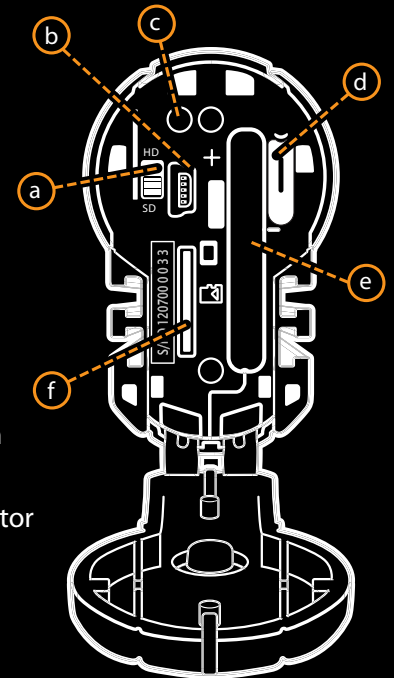
ContourHD Wearable Camcorder

User's Guide

About the Camera



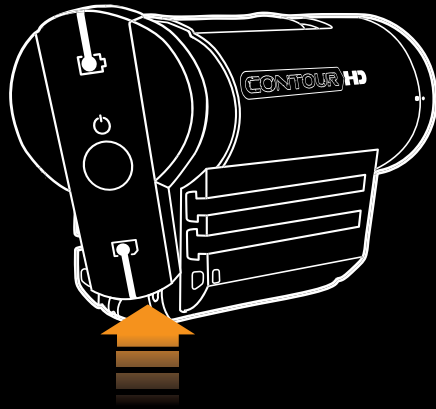
- a Power Button
- b Battery Status
- c Record Button
- d Rotating Lens
- e Record Status
- f Memory Status



- a HD/SD Switch
- b USB
- c Charge Indicator
- d Battery Latch
- e Battery Slot
- f MicroSD Card

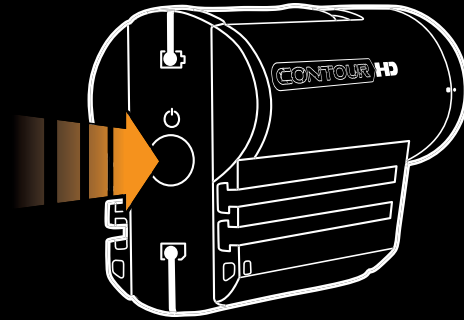
Getting Ready

- Open the back door.
- Insert battery with (+) aligned and close orange latch.
- Align back door slightly above camera and slide down until it locks in.



Power Up

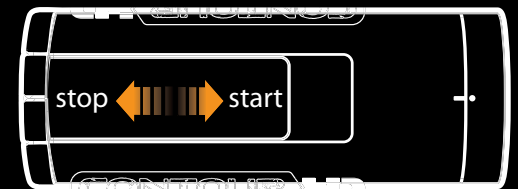
- Push and hold power button (1 second) to turn on.
- Camera beeps and lights turn off.
- You are ready to record



Note: Power up with record switch forward to enable silent mode.

Record

- Start recording: slide switch forward.
- Stop recording: slide switch back.
- Congrats, your first video!



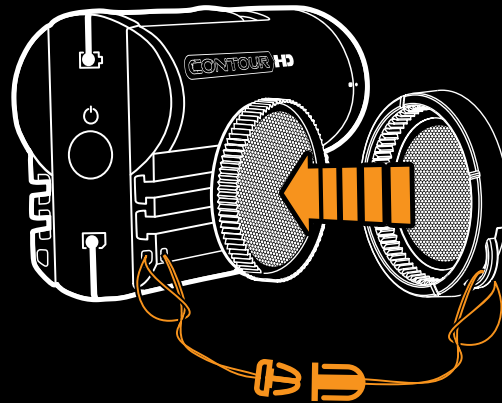
Share

- Turn camera on and connect to computer with USB cable.
- Install VholdR Desktop directly from MicroSD card provided or download at: www.VholdR.com/support/software.
- Import, clip and share your videos...

Note: HD is beautiful but some computers cannot play smooth HD video. Visit www.vholdr.com/support for the latest information on computer requirements.

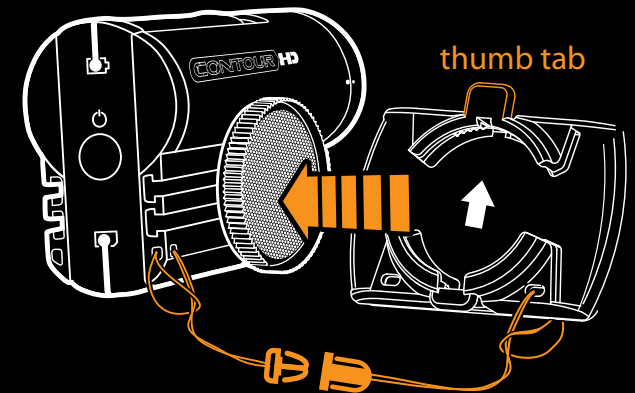
Flat Surface Mount

- Unhook leash on base and loop through camera.
- Slide camera onto rails until it clicks.
- Adhere mount to flat surface (top or side of helmet recommended).
- Hold base, pull camera away, rotate to align, and press into mount to reattach.



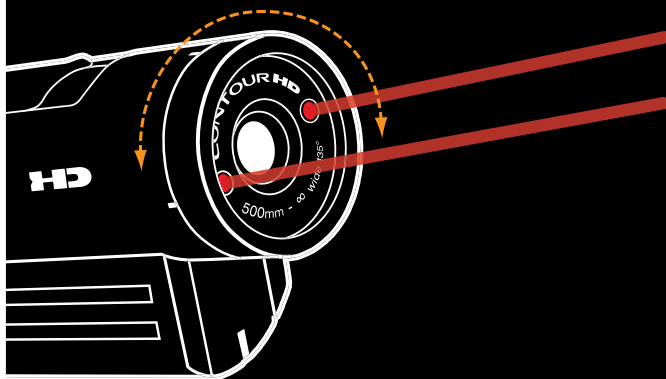
Goggle Mount

- Slide camera on rails until it clicks.
- Press thumb on large tab (top of mount) and pull camera away.
- Slide goggle strap into base.
- Align vertical angle of camera.
- Snap rails back into mount over strap.



Align

- Press power button to activate lasers.
- Aim at your hand, a wall, or other object.
- Rotate lens to align lasers horizontally.
- Remove and reorient mount rails to adjust mount angle. Aim a little high for the best shot.



Resolution Settings

- Use switch under back door to select video resolution.

HD: Amazing Clarity
1280 x 720 at 30fps
30 min avg record time/GB
135 deg. field of view

SD: Fast Action
848 x 480 at 60fps
60 min avg record time/GB
90 deg. field of view

- 2GB microSD card included. Accepts up to 16GB microSD (SDHC Compatible)

Note: Always power off before ejecting card.

Power

Recharge

- Connect to computer with USB cable.
- Red light indicates charging.
- Charge complete when camera beeps and red light turns off. (about 3 hrs)

Power Off

- Press and hold power button 3 seconds.
- Hear a double beep and lights turn off.
- Camera automatically turns off after 15 min of inactivity.

Status

Press power button to check status.

- Memory / Battery Available
Green > 80% | Yellow 20-80% | Red <20%
- Record Status
Green = ready | Red = recording
Flashing = memory full or corrupt

Error Conditions

- Memory full: (3) beeps, recording stops.
- Memory corrupt: (3) beeps, shuts off.
- Battery dead: lights flash, beeps, shuts off.
- No beeps: camera in silent mode.

We are here to help

Keeping Shoot and Share simple is what we are all about. We would love to help you have a great ContourHD experience so please contact us with any questions you have.

Hours: Monday - Friday (9am to 6pm PST)

Toll Free: 866.397.6920 (USA)

International: 206.792.5226

Email: support@vholdr.com

Web: www.vholdr.com/support

Contour**HD**
Wearable Camcorder

Important Product
Information Guide

This *Important Product Information Guide* contains regulatory, safety, handling, disposal and recycling information, as well as the 180-day limited warranty for ContourHD Camera.

Read all safety information below and operating instructions before using ContourHD Camera to avoid injury. For detailed operating instructions and the latest *Important Product Information Guide*, go to: www.vholdr.com/support.

Important Safety Information

WARNING: Failure to follow these safety instructions could result in fire, electric shock, or other injury or damage.

Battery handling

The lithium-ion battery may present a hazard if mistreated. Do not disassemble, crush, or puncture the lithium-ion battery. Do not immerse battery in water and store in a cool dry place when not in use. Do not use or leave battery near a heat source or in direct sunlight.

ContourHD uses a rechargeable lithium-ion, 3.7V, 800mAh battery. Do not use batteries other than those specifically designed for the ContourHD. Use of any other battery may invalidate the warranty provided by Twenty20, Inc. and may present a risk of fire or explosion.

To charge, only use the ContourHD USB Cable with

1

a high-power USB port on a computer or other device that is compliant with the USB 2.0 or 1.1 standards, or the ContourHD camera USB power adapter or battery charger.

Disposal information

Do not dispose of either the ContourHD Camera or lithium-ion battery in a fire. Dispose of batteries in accordance with local laws and regulations.

Correct Disposal of this product



This marking indicates that this product should not be disposed with other household wastes throughout the EU. To prevent possible harm to the environment or human health from uncontrolled waste disposal, recycle it responsibly to promote the sustainable reuse of material resources. To return your used device, please use the return and collection systems or contact the retailer where the product was purchased. They can take this product for environmental safe recycling.

2

Laser notice


VholdR is a Class II laser device. Laser radiation is emitted from the VholdR when using the lasers for alignment. Please use caution and do not stare directly into the beam.

Repairing or modifying

Never attempt to repair or modify ContourHD Camera yourself. Disassembling ContourHD Camera, including the removal of external screws, may cause damage that is not covered under the warranty. The ContourHD Camera does not contain any user-replaceable parts, except the MicroSD card and battery.

3

FCC Information

 ContourHD Camera
Model: 1200

This device complies with Part 15 of the FCC Rules. Operation is subject to the following two conditions:

- (1) This device may not cause harmful interference, and
- (2) This device must accept any interference received, including interference that may cause undesired operation.

Warning: Changes or modification to this unit not expressly approved by party responsible for compliance could void the user's authority to

4

operate the equipment. Note: This equipment has been tested and found to comply with the limits for a Class B digital device, pursuant to Part 15 of the FCC Rules. These limits are designed to provide reasonable protection against harmful interference in a residential installation. This equipment generates, uses, and can radiate radio frequency energy and if not installed and used in accordance with the instructions, it may cause harmful interference to radio communications. However, there is no guarantee that interference will not occur in a particular installation. If this equipment does cause harmful interference to radio or television reception, which can be determined by turning the equipment off and on,

5

the user is encouraged to try to correct the interference by one or more of the following measures:

- Reorient or relocate the receiving antenna.
- Increase the separation between the equipment and receiver.
- Connect the equipment into an outlet on a circuit different from that to which the receiver is connected.
- Consult the dealer or an experienced radio/TV technician for help.

6

TWENTY20, INC. LIMITED WARRANTY

What the warranty covers

Twenty20, Inc. ("Twenty20") warrants for 180 days from the date of purchase of product it will be free from defects in material and workmanship.

What it does not cover

This warranty does not cover damage due to:

- Accidents of any kind.
- Exposure to pressure, extreme temperatures (outside of -20°C to 45°C), and submersion in water. This product is water resistant but not waterproof, shock resistant but not shock proof, and its performance can be hindered by extreme temperatures.

- Installation and operation contrary to the instructions which come with the product, including misuse, abuse, and negligence.
- Cosmetic damage.
- Modification of or to any part of the product.

This warranty does not cover any product for which the factory applied serial number has been altered or removed or any damage due to improper maintenance. This warranty is valid in any countries Twenty20 sells the product or is legally represented.

EXCEPT TO THE EXTENT PROHIBITED BY APPLICABLE LAW, ANY IMPLIED WARRANTY OF MERCHANTABILITY OR FITNESS FOR A PARTICULAR

PURPOSE ON THIS PRODUCT IS LIMITED IN DURATION TO THE DURATION OF THIS WARRANTY. REPAIR OR REPLACEMENT AS PROVIDED UNDER THIS WARRANTY IS THE EXCLUSIVE REMEDY OF THE CONSUMER, TWENTY20 SHALL NOT BE LIABLE FOR ANY INDIRECT, INCIDENTAL OR CONSEQUENTIAL DAMAGES OF ANY KIND CAUSED BY BREACH OF ANY EXPRESS OR IMPLIED WARRANTY ON THIS PRODUCT.

How to get service

To obtain warranty service, register your product at www.vholdr.com within 180 days from the date you purchased this product. If service is required, you may be instructed to deliver the product freight prepaid, in either its original packaging or packaging affording an equal degree of protection, to the company and provide proof of purchase in the form of a bill of sale or receipt which evidences that the unit is within the warranty period.

Twenty20 will, at its sole discretion, replace or repair the product. Please do not return the product to Twenty20 unless specifically instructed to do so.

Twenty20 Customer Information Services Center
Phone number: (866)397.6920
Email: support@vholdr.com

Your rights under state law:

Some states do not allow the exclusion or limitation of incidental or consequential damages, or allow limitations on how long an implied warranty lasts, and so the above limitations or excludions may not apply to you. This warranty gives you specific legal rights; and you may have other rights which vary from state to state.

Twenty20 Disclaimer

All purchasers, users, and any or all parties involved or engaging in the use of Twenty20, Inc (“Twenty20”) products agree to the following:

- Twenty20 does not promote or endorse high risk, careless and/or dangerous actions when using its products.
- Twenty20 is not liable for any use or misuse of Twenty20 Products in applications other than those for which it was designed.
- Twenty20 does not take any responsibility in relation to the use of our products or any video captured that may be considered illegal.

- Twenty20 is not responsible for any illegal actions taken while recording, attempting to record, or editing video that was captured with our products.
- Twenty20 Products' primary purpose is recording legal sports activities as seen by all Local, State, Federal, and Country laws.
- Twenty20 is indemnified from consequential or indirect loss, damage, injury, or death resulting from the use of Twenty20 Products.

Tips & Troubleshooting

If you have problems, please contact VholdR Support. We will work with you to make it easy to shoot and share your adventures.

Support Hours:

Monday - Friday, 9:00am to 6:00pm PST

866.397.6920 (USA)

206.792.5226 (International)

support@vholdr.com

www.vholdr.com/support

All trademarks and registered trademarks mentioned herein are recognized as the property of their respective holders.

Contour**HD** is a product of Twenty20 Corporation in Seattle Washington www.vholdr.com

©2009 Twenty20 Corporation. All rights reserved.